

# Wingliner Trailer

## THE SPACIOUS WONDER

Wingliner Trailer: the fastest and most efficient semi-trailer in its category. With efficient, agile and safe loading, the Wingliner Trailer is “locked and loaded” in a very short time. Additionally, our spacious wonder can be designed and assembled for all heights. Furthermore, it has a burglar-proof structure and theft protection system.

### ADVANTAGES

Fast and simple opening

Theft protection

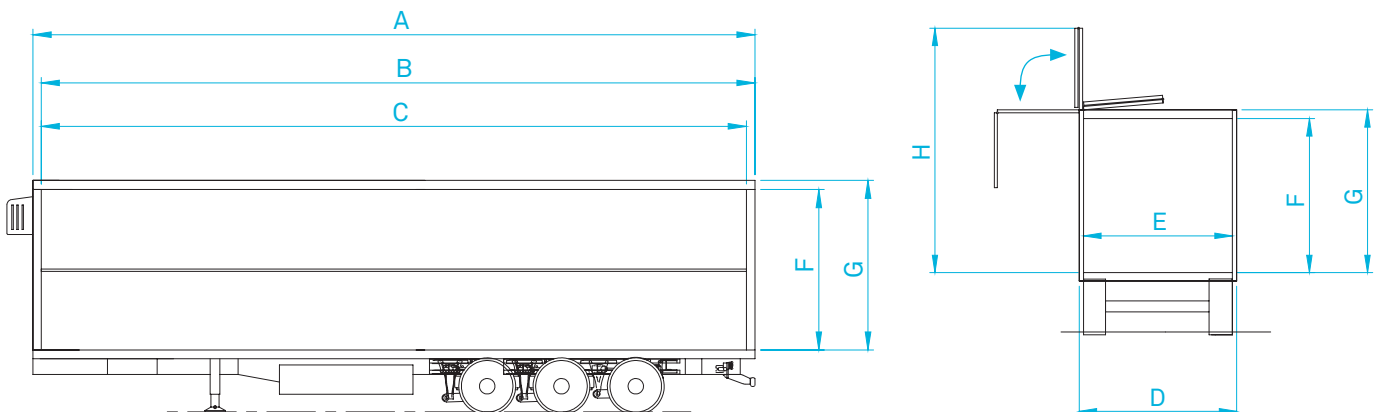
Permanent advertising space

Rain shelter

Variable load fastening

Effective sealing

Simple assembly



A Overall external length

B Internal usable loading length =  $A - 165$  mm

C Usable loading length from the side =  $B - 165$  mm

D Overall external width = 2.550 mm

E Loading width = Standard 2.435 mm

F Loading height

G Overall height when closed =  $F + 200$  mm

H Overall height when opened  $180^\circ$  =  $G + (F / 2) + 170$  mm

CERTIFICATION	WINGLINER TRAILER	REQUESTED CONFIGURATION
Beverages	X	
Beer Kegs	X	
Load Safety - XL	X	
Explosion Protection - EX	Optional	
Chemicals	Optional	
Automotive Industry	Optional	

#### LOADING SIZING

Loading height sizing in steps of 50 mm for assemblies with Aluminum Snap or Tarpaulin; Composite panel and temperglass with regular sizing	1.500 - 3.000 mm
Loading length with regular sizing	< 10.000 mm
"Internal width between sidewalls (without palett stop)"	2.481 mm
Feasibility for structure with special length and width	

#### SIDEWALL VERSIONS

One-sided opening configuration (left or right)	X
Bilateral opening configuration	X
Aluminum snap 25 mm	X
Composite panel with 1,2 mm of aluminum layer	X
Composite panel with 0,6 mm of aluminum layer	X
Aluminum core	X
"Tarpaulin and aluminum snap 25 mm (Tarpaulin not included)"	X
PEP-core translucent	-
Tempered glass 25 mm	-
Lifting roof	X

#### VEHICLE WEIGHT

(t)	7,5 - 40,0
-----	------------

#### NOTES / COMMENTARIES