

# Wingliner Sideloader

## THE WORKHORSE

The Wingliner Sideloader: strengthen your one-man fleet and revitalize its back. Just like the dream of all the beverage suppliers, this model provides a wide and easy loading and unloading - also directly at the customer. By default, the Sideloader has a lifting platform along its entire lateral. In addition to being a great investment, its also has a short payback period.

### ADVANTAGES

Fast and simple opening

Theft protection

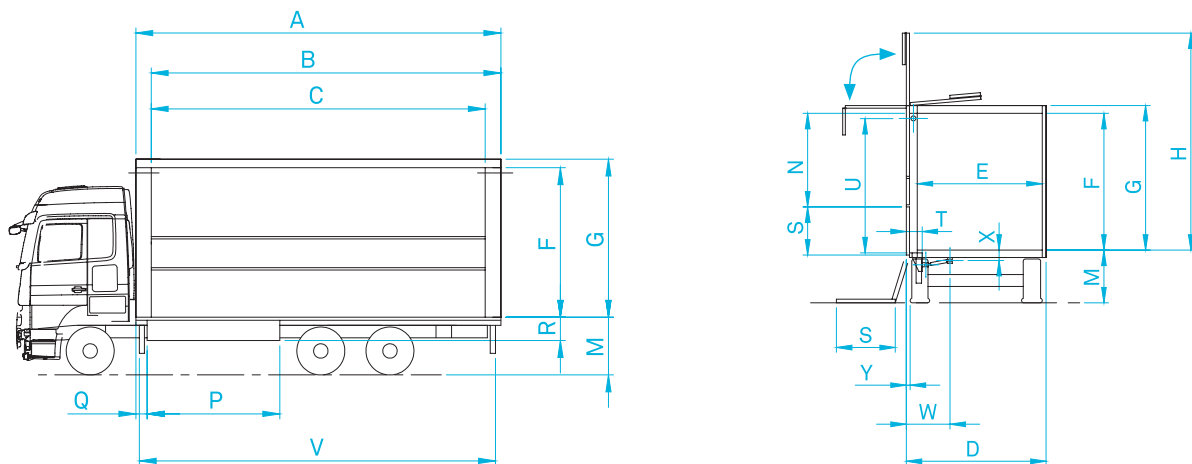
Permanent advertising space

Rain shelter

Variable load fastening

Effective sealing

Simple assembly



A Overall external length	P Total length of the lifter cylinder box 2.540 mm
B Internal usable loading length = $A - 341$ mm	Q Longitudinal positioning of the lifter cylinder box 370 mm
C Usable loading length from the side = $B - 341$ mm	R Total height of the lifter cylinder box 330 mm
D Overall external width = Standard 2.550 mm	S Width of the lifting platform
E Loading width = Standard 2.228 mm	T Lateral positioning of the lifter cylinder box 252 mm
F Loading height	U Height from the upper axis center of the lift system to the top face of lifter cylinder box = $F + 6$ mm
G Overall height when closed = $F + 180$ mm	V Overall distance between the lifter C-rails = $A - 427$ mm
H Overall height when opened $180^\circ = G + (F / 2) + 140$ mm	W Sliding cylinder connection point = 604 mm
M Loading floor height	X Sliding cylinder connection point = 177 mm
N Wingliner sidewall clear width = $F - S + 102$ mm	Y Minimum distance between the lifting platform and the tires = 70 mm

CERTIFICATION	WINGLINER	SIDELoader	REQUESTED CONFIGURATION
---------------	-----------	------------	-------------------------

Beverages		X	
Beer Kegs		X	
Load Safety - XL		X	
Explosion Protection - EX			Optional
Chemicals			Optional
Automotive Industry			Optional

#### LOADING SIZING

Loading height sizing in steps of 50 mm for assemblies with Aluminum Snap or Tarpaulin; Composite panel and temperglass with regular sizing		1.500 - 3.000 mm	
Loading length with regular sizing		< 10.000 mm	
"Internal width between sidewalls (without palett stop)"		2.228 mm	
Feasibility for structure with special length and width			

#### SIDEWALL VERSIONS

One-sided opening configuration (left or right)		X	
Bilateral opening configuration		-	
Aluminum snap 25 mm		X	
Composite panel with 1,2 mm of aluminum layer		X	
Composite panel with 0,6 mm of aluminum layer		X	
Aluminum core		X	
"Tarpaulin and aluminum snap 25 mm (Tarpaulin not included)"		X	
PEP-core translucent		-	
Tempered glass 25 mm		-	
Lifting roof		-	

#### VEHICLE WEIGHT

(t)		7,5 - 26,0	
-----	--	------------	--

#### NOTES / COMMENTARIES