

Wingliner Open Top

THE CONVERTIBLE

The Wingliner Open Top: the “topless” for the whole day. Due to its fast process of loading and unloading, it helps to save time and to avoid traffic congestion. Our convertible is the favorite choice for distribution of construction materials, metal frames, glass, and traffic planners as well - besides that, our big boy Open Top can deal with cranes without a hitch.

ADVANTAGES

Fast and simple opening

Theft protection

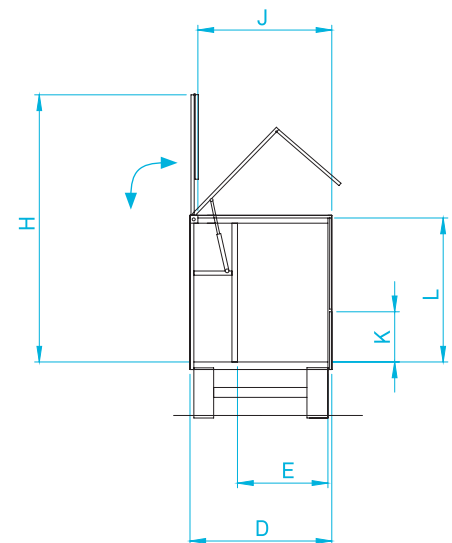
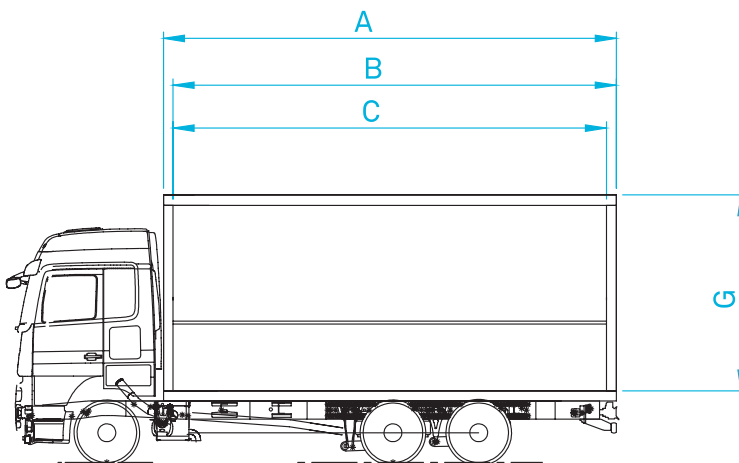
Permanent advertising space

Rain shelter

Variable load fastening

Effective sealing

Simple assembly



A Overall external length	G Overall external height with the Open Top closed = $L + 50$ mm
B Internal usable loading length = $A - 165$ mm	H Overall external height with the Open Top opened = $L + J + 145$ mm
C Usable loading length from the side = $B - 165$ mm	J Roof loading width = Standard 2.335 mm
D Overall external width = Standard 2.550 mm	K Bottom sidewall height
E Rear loading width = Standard 1.830 mm	L Internal height

CERTIFICATION

WINGLINER OPEN TOP

REQUESTED CONFIGURATION

Beverages	Optional
Beer Kegs	Optional
Load Safety - XL	Optional
Explosion Protection - EX	Optional
Chemicals	Optional
Automotive Industry	Optional

LOADING SIZING

Loading height sizing in steps of 50 mm for assemblies with Aluminum Snap or Tarpaulin; Composite panel and temperglass with regular sizing	1.500 - 3.000 mm
Loading length with regular sizing	< 10.000 mm
"Internal width between sidewalls (without palett stop)"	2.481 mm
Feasibility for structure with special length and width	

SIDEWALL VERSIONS

One-sided opening configuration (left or right)	X
Bilateral opening configuration	-
Aluminum snap 25 mm	X
Composite panel with 1,2 mm of aluminum layer	X
Composite panel with 0,6 mm of aluminum layer	X
Aluminum core	X
"Tarpaulin and aluminum snap 25 mm (Tarpaulin not included)"	X
PEP-core translucent	-
Tempered glass 25 mm	-
Lifting roof	-

VEHICLE WEIGHT

(t)	7,5 - 26,0
-----	------------

NOTES / COMMENTARIES

The dimensions and configurations shown in this document must be taken as reference. Every Wingliner product can be adapted to the specific requirements of the industry. Subject to changes, typos and printing errors. Version 09/2018.
 office@wingliner.com / Tel.: +43 6225 76 27 / Fax: +43 6225 7627-29