

# Wingliner Duo

## THE ROBUST

The Wingliner Duo: the off-road quality solution for professionals. Robust and reliable, our bestseller in its category reveals its strenghts through all climatic regions of the world - from Australia to Iceland, from Scandinavia to Brazil. Our tough boy is never intimidated by the cold, nor succumbs to the heat. The integrated central structure makes our Duo extremely durable. The possibility of having two different climatic chambers in the loading compartment allow great transportation options - even in harsh temperature variation.

### ADVANTAGES

Fast and simple opening

Theft protection

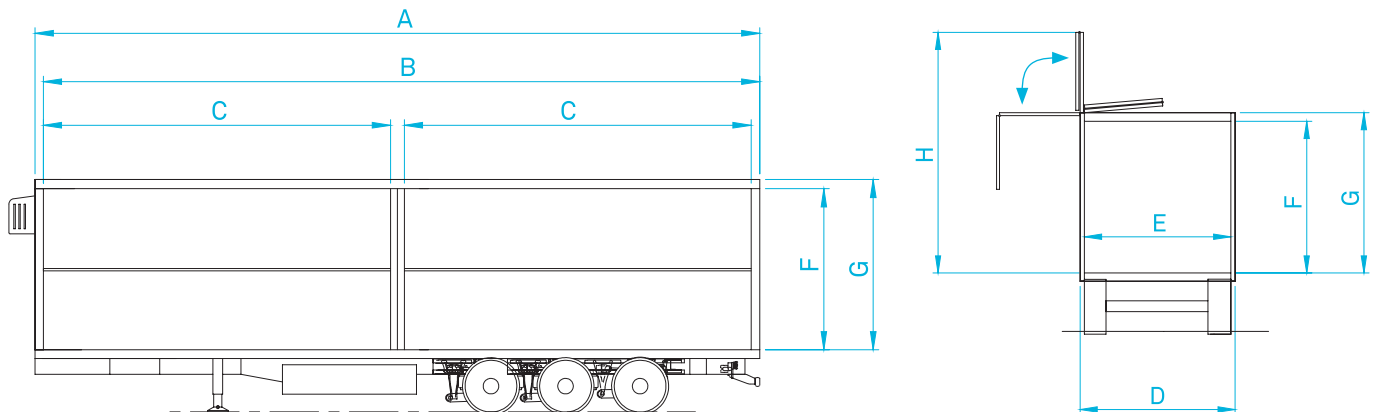
Permanent advertising space

Rain shelter

Variable load fastening

Effective sealing

Simple assembly



A Overall external length

E Loading width = Standard 2.435 mm

B Internal usable loading length =  $A - 145 \text{ mm}$

F Loading height

C Usable loading length from the side =  $(B - 475) / 2$

G Overall height when closed =  $F + 180 \text{ mm}$

D Overall external width = Standard 2.550 mm

H Overall height when opened  $180^\circ = G + (F / 2) + 150 \text{ mm}$

CERTIFICATION	WINGLINER DUO	REQUESTED CONFIGURATION
Beverages	X	
Beer Kegs	X	
Load Safety - XL	X	
Explosion Protection - EX	Optional	
Chemicals	Optional	
Automotive Industry	Optional	

#### LOADING SIZING

Loading height sizing in steps of 50 mm for assemblies with Aluminum Snap or Tarpaulin; Composite panel and temperglass with regular sizing	1.500 - 3.000 mm
Loading length with regular sizing	All lengths
"Internal width between sidewalls (without palett stop)"	2.481 mm
Feasibility for structure with special length and width	

#### SIDEWALL VERSIONS

One-sided opening configuration (left or right)	X
Bilateral opening configuration	X
Aluminum snap 25 mm	X
Composite panel with 1,2 mm of aluminum layer	X
Composite panel with 0,6 mm of aluminum layer	X
Aluminum core	X
"Tarpaulin and aluminum snap 25 mm (Tarpaulin not included)"	X
PEP-core translucent	-
Tempered glass 25 mm	-
Lifting roof	-

#### VEHICLE WEIGHT

(t)	7,5 - 40,0
-----	------------

#### NOTES / COMMENTARIES