

Wingliner City

THE LIGHTWEIGHT

The Wingliner City: nimble and agile through urban areas, it is the optimal choice for the city. Small, flexible and nippy, it brings all the qualities that make it the favorite partner for e-commerce and delivery companies. Additionally, its exterior is expressive and convincing in its values: as a “mobile retail truck”, it is a charming eye-catcher. It also comes in lightweight construction with aluminum or electric motors - for assured deliveries.

ADVANTAGES

Fast and simple opening

Theft protection

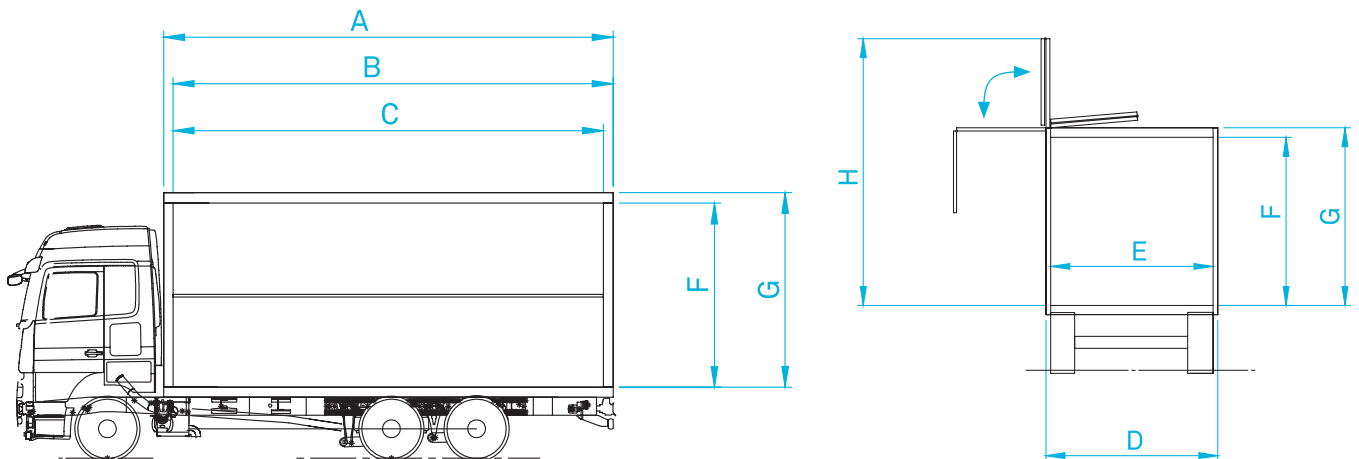
Permanent advertising space

Rain shelter

Variable load fastening

Effective sealing

Simple assembly



A Overall external length	E Loading width = 2.435 mm
B Internal usable loading length = $A - 145$ mm	F Loading height
C Usable loading length from the side = $B - 145$ mm	G Overall height when closed = $F + 180$ mm
D Overall external width = 2.550 mm	H Overall height when opened $180^\circ = G + (F / 2) + 140$ mm

CERTIFICATION	WINGLINER CITY	REQUESTED CONFIGURATION
Beverages	X	
Beer Kegs	X	
Load Safety - XL	X	
Explosion Protection - EX	Optional	
Chemicals	Optional	
Automotive Industry	Optional	

LOADING SIZING

Loading height sizing in steps of 50 mm for assemblies with Aluminum Snap or Tarpaulin; Composite panel and temperglass with regular sizing	1.500 - 2.200 mm
Loading length with regular sizing	< 5.000 mm
"Internal width between sidewalls (without palett stop)"	2.481 mm
Feasibility for structure with special length and width	

SIDEWALL VERSIONS

One-sided opening configuration (left or right)	X
Bilateral opening configuration	X
Aluminum snap 25 mm	X
Composite panel with 1,2 mm of aluminum layer	X
Composite panel with 0,6 mm of aluminum layer	X
Aluminum core	X
"Tarpaulin and aluminum snap 25 mm (Tarpaulin not included)"	X
PEP-core translucent	X
Tempered glass 25 mm	X
Lifting roof	X

VEHICLE WEIGHT

(t)	< 7,5
-----	-------

NOTES / COMMENTARIES